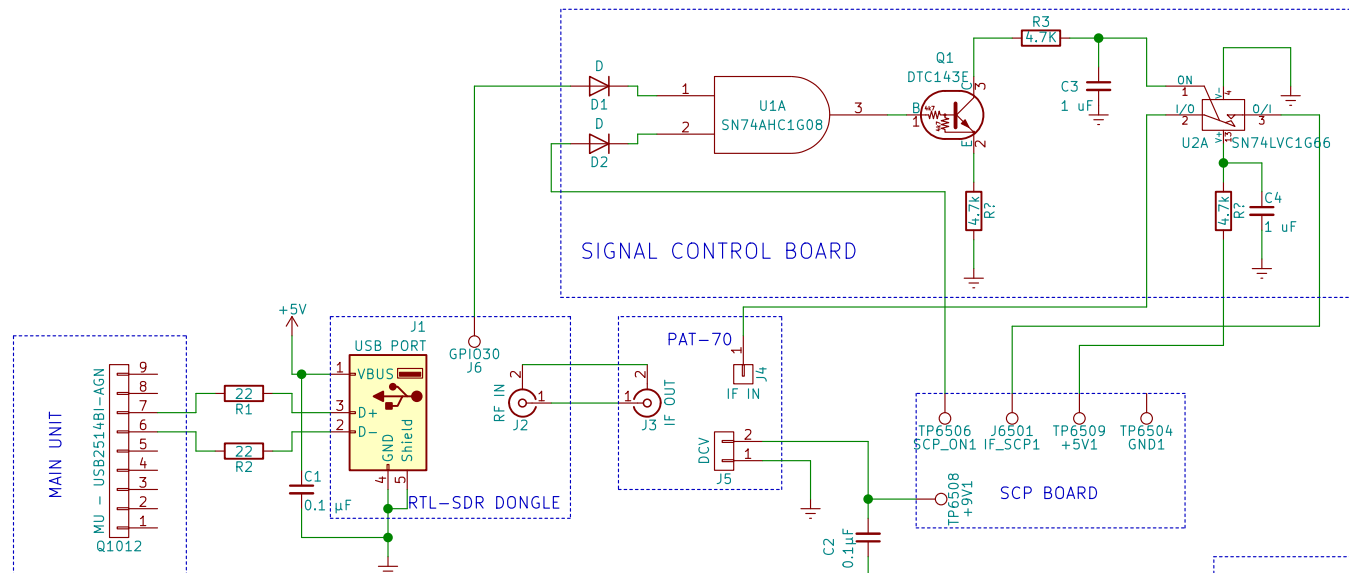


# EMBEDDED RTL-SDR PANADAPTER IN FT-991A



**NOTES**

- USB Hub Q1012 (USB2512BI) must be replaced with USB2514BI
- Keep PAT70 and J6501 jumper as short as possible
- Use thermal pad to dissipate RTL-SDR heat
- Be careful on component positioning to avoid shorts

Revisions:  
 A - Initial Release  
 B - Added a AND port to inhibit signal to RTL when either SCPON or GPIO are down

Embedded RTL-SDR Panadapter in FT-991A	
This project takes advantage of internal FT-991A USB hub to export seamlessly a inside-the-radio RTL-SDR dongle, exporting the IF data from the SCH board, using the PAT-70 board. No chassis drilling or external wires.	
<b>PY2RAF</b>	
Sheet: /	
File: panadapter.sch	
<b>Title: FT-991A EMBEDDED RTL-SDR</b>	
Size: A4	Date: 2019-03-17
KiCad E.D.A. kicad 4.0.6	Rev: B
	Id: 1/1