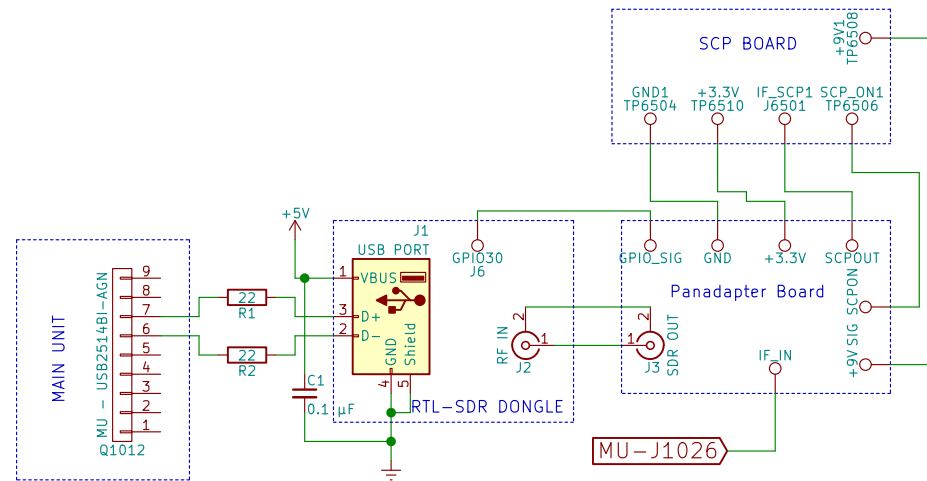


EMBEDDED RTL-SDR PANADAPTER IN FT-991A



NOTES

- USB Hub Q1012 (USB2512BI) must be replaced with USB2514BI
- Use thermal pad to dissipate RTL-SDR heat
- Be careful on component positioning to avoid shorts

- Revisions:
- A - Initial Release
 - B - Added a AND port to inhibit signal to RTL when either SCPON or GPIO are down
 - C - Removed a utterly unnecessary and badly-designed transistor
 - D - Unified Sig Control in Panadapter (PAT) reusing OE2DOR board design
 - E - Changed switch to RF switch and voltages to 3.3V

Embedded RTL-SDR Panadapter in FT-991A	
This project takes advantage of internal FT-991A USB hub to export seamlessly a inside-the-radio RTL-SDR dongle, exporting the IF data from the SCH board, using the PAT-70 board. No chassis drilling or external wires.	
PY2RAF	
Sheet: /	
File: panadapter.sch	
Title: FT-991A EMBEDDED RTL-SDR	
Size: A4	Date: 2019-03-25
KiCad E.D.A. kicad 4.0.6	Rev: E
	Id: 1/1